

Qualed LED Recessed Downlight 104/135/183/235mm 3000/4000K White DIM

- Energy saving alternative to CFL downlights
- 50,000 hours lifetime (L70B50)
- Direct mains voltage connection (220-240V)
- Light output of 810-2200lm
- 3000K or 4000K
- Diameter of 104/135/183/235 mm
- Flicker-free
- Phase-cut dimmable driver included
- 3 Years Warranty

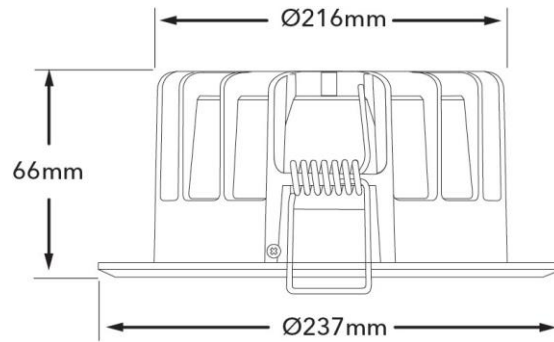
Product Number	52948-52955			
General Data				
Installation type	Recessed			
Housing material	Aluminum			
Housing colour	White (RAL9010)			
Protection class	IP20 (IP40 room side)			
Dimmable	yes			
Geometric Data (mm)	104	135	183	235
Height (mm)	53	53	56	66
Outer diameter (mm)	104	135	183	237
Inner diameter (mm)	90	125	170	216
Weight (g)	170	270	460	690
Cut-out dimensions (mm)	90	125	170	216
Electric Data				
Wattage (W)	8	12	18	21
Voltage (V)	220-240			
Current (mA)	100 (110 max)			
Power Factor	0.92			
Operating Frequency (Hz)	50/60			
Safety Class	Class II			
Power supply	External			
Photometric Data				
Luminous Flux (lm)	810-2200			
CRI	80			
CCT (K)	3000/4000			
Luminous Efficacy (lm/W)	+100			
Lifespan				
Lifetime (hrs)	50,000 (L70B50)			
Switching Cycle	100,000			
Mechanical Parameters				
Glow wire test	850°C			



Product image




Technical drawing 235mm




Application image




Energy Rating



This luminaire contains built-in LED lamps.



LED



The lamps cannot be changed in the luminaire.

Qualed 52954

874/2012

Technical Packaging Details

Pack Dimensions (HxWxL)

104mm: 110 x 110 x 88 mm
 135mm: 140 x 140 x 104 mm
 183mm: 188 x 188 x 107mm
 235mm: 238 x 238 x 118mm

MOQ

1

Pieces/Carton

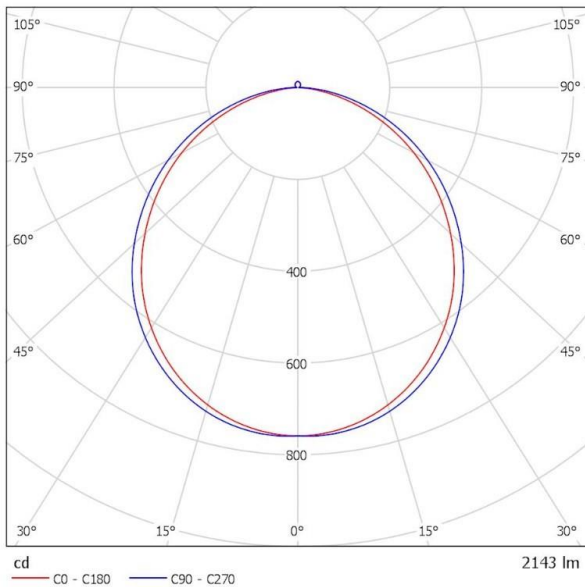
104mm: 18
 135mm: 12
 183mm: 12
 235mm: 9

Units/Pallet

104mm: 486
 135mm: 192
 183mm: 120
 235mm: 108



Photometric Diagrams



Distance [m]	Cone Diameter [m]	E(0°)	E(C90)	E(C0)
0.5	1.48 1.33	3036	56.0° 266	53.1° 330
1.0	2.97 2.66	759	56.0° 67	53.1° 82
1.5	4.45 4.00	337	56.0° 30	53.1° 37
2.0	5.93 5.33	190	56.0° 17	53.1° 21
2.5	7.41 6.66	121	56.0° 11	53.1° 13
3.0	8.90 7.99	84	56.0° 7	53.1° 9

Distance [m] Cone Diameter [m] Illuminance [lx]

— C0 - C180 (Half-value Angle: 106.2°)
 — C90 - C270 (Half-value Angle: 112.0°)

